

- o Flat Cable Connectors SEK
- o *har-mik®*
- o D-Sub
- o InduCom

Applications



## Product details

**09 33 024 2601**

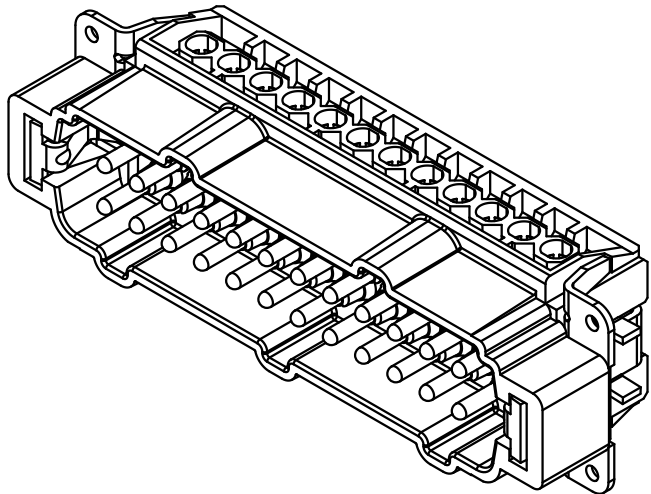
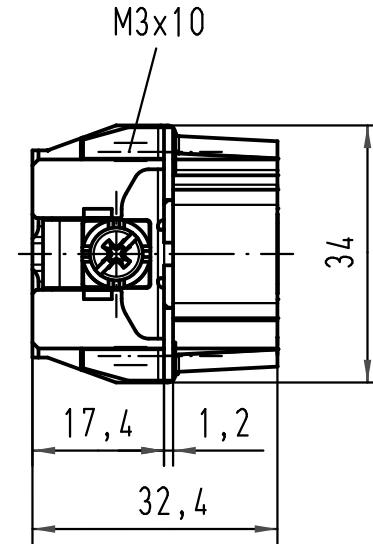
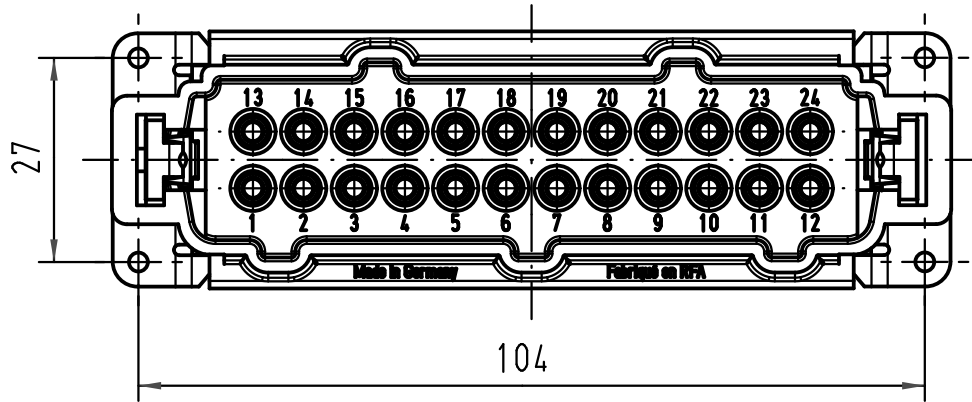
**Male insert, Han 24 E**

Series	Han E®, Han® ES/ESS, Han E® AV, Han® ES AV
Number of contacts	24 poles + PE
Size of hood/housing	Han® 24 B
Termination	Screw term. with wire prot.
Insert material	Standard material
Contacts	Inclusive
Electrical data	16 A 500 V 6 kV 3
RoHS compliant	Yes

### Available Downloads

Title	Format	
Data sheet	PDF	<a href="#">↕ download</a>
CAD data 2D	DXF	<a href="#">↕ download</a>
CAD data 3D	IGES	<a href="#">↕ download</a>
CAD data 3D	STEP	<a href="#">↕ download</a>

**Inquiry**



All Dimensions in mm Original Size DIN A 4			Techn. Character.			Nicht tolerierte Maße/Free size tolerances		
				Dat.	Name	Maßstab/Scale		<b>Han 24E-sti-s</b> Stifteinsatz / male insert
			Detail.	09.04.98	KR	1:1		
			Insp.		Rue.			
413214	17.09.07	Rull	Stand.		NÖTZEL			
28552	11.10.00	ROH.	HARTING Electric GmbH & Co. KG			<b>TB 09 33 024 2601</b>		Blatt/ page
26781			D-32339 Espelkamp					
Mod.	Dat.	Name						